

Contents

1. Clock device tree configuration - Bootloader specific	2
2. Boot chains overview	16
3. Clock device tree configuration	17
4. Device tree	18
5. How to activate HSI and CSI oscillators calibration	19
6. How to change the CPU frequency	20
7. RCC internal peripheral	21
8. STM32CubeMX	22
9. STM32MP15 resources	23
10. TF-A overview	24
11. U-Boot overview	25

Clock device tree configuration - Bootloader specific

Contents

1	Article purpose	3
2	DT bindings documentation	4
3	DT configuration	5
3.1	DT configuration (STM32 level)	5
3.2	DT configuration (board level)	6
3.2.1	Clock node	6
3.2.2	STM32MP1 clock node	9
4	How to configure the DT using STM32CubeMX	14
5	References	15

1 Article purpose

This article describes the specific [RCC internal peripheral](#) configuration done by the [first stage bootloader](#):

- [TF-A](#) for the Trusted boot chain
- [U-Boot SPL](#) for the Basic boot chain

Warning

This article explains how to configure the clock tree in the [RCC](#) at boot time.

You can then refer to the [clock device tree configuration](#) article to understand how to derive each internal peripheral clock tree in Linux[®]OS from the [RCC](#) clock tree.

The configuration is performed using the [device tree](#) mechanism that provides a hardware description of the [RCC](#) peripheral.

This clock tree is only used in the device tree of the boot chain FSBL; so in the TF-A device tree for OpenSTLinux official delivery (or in SPL only for the DDR tuning tool).

Even if the clock tree information is also present in the [U-Boot](#) device tree, it is not used during boot by this SSBL.

2 DT bindings documentation

The bootloader clock device tree bindings correspond to the vendor clock DT bindings used by the clk-stm32mp1 driver of the FSBL (TF-A or U-Boot SPL), it is based on:

- binding described in [Clock_device_tree_configuration](#)
- bootloader specific properties described in [#DT configuration](#)

This binding document explains how to write the device tree files for clocks on the bootloader side:

- TF-A: [tf-a/docs/devicetree/bindings/clock/st,stm32mp1-rtc.txt^{\[1\]}](#)
- U-Boot SPL: [doc/device-tree-bindings/clock/st,stm32mp1.txt^{\[2\]}](#)

3 DT configuration

This hardware description is a combination of the **STM32 microprocessor** device tree files (*.dtsi* extension) and **board** device tree files (*.dts* extension). See the [Device tree](#) for an explanation of the device tree file split.

STM32CubeMX can be used to generate the board device tree. Refer to [How to configure the DT using STM32CubeMX](#) for more details.

3.1 DT configuration (STM32 level)

The STM32MP1 clock nodes are located in *stm32mp157c.dtsi*^[3] (see [Device tree](#) for more explanations):

- fixed-clock defined in [clock node](#)
- [RCC](#) node for [#STM32MP1 clock node](#): clock generation and distribution.

```

/ {
...
    clocks {
        clk_hse: clk-hse {
            #clock-cells = <0>;
            compatible = "fixed-clock";
            clock-frequency = <24000000>;
        };
...
    };
...
    soc {
...
        rcc: rcc@50000000 {
            compatible = "st,stm32mp1-rcc", "syscon";
            reg = <0x50000000 0x1000>;
            #clock-cells = <1>;
            #reset-cells = <1>;
            interrupts = <GIC_SPI 5 IRQ_TYPE_LEVEL_HIGH>;
        };
...
    };
};

```

Please refer to [clock device tree configuration](#) for the bindings common with Linux[®] kernel.

3.2 DT configuration (board level)

3.2.1 Clock node

The clock tree is also based on five fixed clocks in the clock node. They are used to define the state of associated ST32MP1 oscillators:

- clk-lsi
- clk-lse
- clk-hsi
- clk-hse
- clk-csi

Please refer to [clock device tree configuration](#) for detailed information.

At boot time, the clock tree initialization performs the following tasks:

- enabling of the oscillators present in the device tree and not disabled (node with status="disabled"),
- disabling of the HSI oscillator if the node is absent or disabled (HSI is always activated by the ROM code).

This information is located in the following files:

- STM32MP157C-EV:
 - TF-A: [fdts/stm32mp157c-ed1.dts](#)^[4]
 - U-Boot SPL: [arch/arm/dts/stm32mp157c-ed1-u-boot.dtsi](#)^[5]
- STM32MP157X-DK:
 - TF-A: [fdts/stm32mp157a-dk1.dts](#)^[6]
 - U-Boot SPL: [arch/arm/dts/stm32mp157a-dk1-u-boot.dtsi](#)^[7]

3.2.1.1 Optional properties for "clk-lse" and "clk-hse" external oscillators

For external oscillator HSE and LSE, the default clock configuration is an external crystal/ceramic resonator.

Four optional fields are supported:

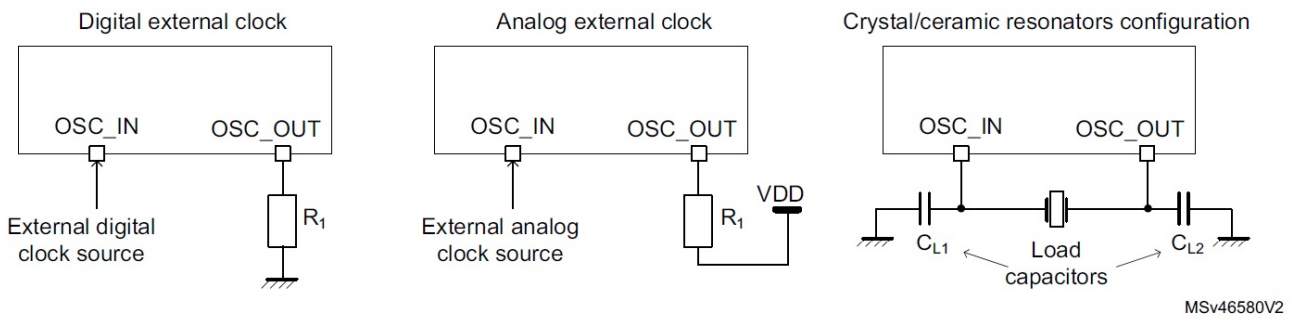
- "st,bypass" configures the external analog clock source (set HSEBYP, LSEBYP),
- "st,digbypass" configures the external digital clock source (set DIGBYP and HSEBYP, LSEBYP),
- "st,css" activates the clock security system (HSECSSON, LSECSSON),
- "st,drive" (LSE only) contains the value of the drive for the oscillator (see LSEDRV_ defined in the file [stm32mp1-clksrc.h](#)^[8]).

3.2.1.2 DT configuration for HSE

The HSE can accept an external crystal/ceramic or external clock source on OSC_IN, digital or analog : the user needs to select the correct frequency and the correct configuration in the device tree, corresponding to the hardware setup.

All the ST boards are using a digital external clock configuration (so device tree with = st,digbypass).

For example with the same 24MHz frequency, we have 3 configurations:



- Digital external clock = st,digbypass

```

/ {
    clocks {
        clk_hse: clk-hse {
            #clock-cells = <0>;
            compatible = "fixed-clock";
            clock-frequency = <24000000>;
            st,digbypass;
        };
    };
};

```

- Analog external clock = st,bypass

```

/ {
    clocks {
        clk_hse: clk-hse {
            #clock-cells = <0>;
            compatible = "fixed-clock";
            clock-frequency = <24000000>;
            st,bypass;
        };
    };
};

```

- Crystal/ ceramic resonators configuration

```

/ {
    clocks {
        clk_hse: clk-hse {
            #clock-cells = <0>;
            compatible = "fixed-clock";
            clock-frequency = <24000000>;
        };
    };
};

```

3.2.1.3 DT configuration for LSE

Below an example of LSE on board file with 32,768kHz crystal resonators, the drive set to medium high and with activated clock security system.

```

/ {
    clocks {
        clk_lse: clk-lse {
            #clock-cells = <0>;
            compatible = "fixed-clock";
            clock-frequency = <32768>;
            st,css;
            st,drive = <LSEDRV_MEDIUM_HIGH>;
        };
    };
};
    
```

3.2.1.4 *Optional property for "clk-hsi" internal oscillator*

The HSI clock frequency is internally fixed to 64 MHz for the STM32MP15 devices.

In the device tree, clk-hsi is the clock after HSIIDIV divider (more information on clk_hsi can be found in the RCC chapter in the [reference manual](#)).

As a result the frequency of this fixed clock is used to compute the expected HSIIDIV for the clock tree initialization.

Below an example with HSIIDIV = 1/1:

```

/ {
    clocks {
        clk_hsi: clk-hsi {
            #clock-cells = <0>;
            compatible = "fixed-clock";
            clock-frequency = <64000000>;
        };
    };
};
    
```

Below an example with HSIIDIV = 1/2:

```

/ {
    clocks {
        clk_hsi: clk-hsi {
            #clock-cells = <0>;
            compatible = "fixed-clock";
            clock-frequency = <32000000>;
        };
    };
};
    
```

3.2.1.5 *Clock node example*

An example of clocks node with:

- all oscillators switched on (HSE, HSI, LSE, LSI, CSI)
- HSI at 64MHZ (HSIIDIV = 1/1)
- HSE using a digital external clock at 24MHz
- LSE using an external crystal a 32.768kHz (the typical frequency)

We highlight the customized parts:


```

/ {
    clocks {
        clk_hse: clk-hse {
            #clock-cells = <0>;
            compatible = "fixed-clock";
            clock-frequency = <24000000>;
            st,digbypass;
        };

        clk_hsi: clk-hsi {
            #clock-cells = <0>;
            compatible = "fixed-clock";
            clock-frequency = <64000000>;
        };

        clk_lse: clk-lse {
            #clock-cells = <0>;
            compatible = "fixed-clock";
            clock-frequency = <32768>;
        };

        clk_lsi: clk-lsi {
            #clock-cells = <0>;
            compatible = "fixed-clock";
            clock-frequency = <32000>;
        };

        clk_csi: clk-csi {
            #clock-cells = <0>;
            compatible = "fixed-clock";
            clock-frequency = <4000000>;
        };
    };
};
    
```

So the resulting board device tree, based on SoC device tree "stm32mp157c.dtsi", is :

```

#include "stm32mp157c.dtsi"
&clk_hse {
    clock-frequency = <24000000>;
    st,digbypass;
};

&clk_hsi {
    clock-frequency = <64000000>;
};

&clk_lse {
    clock-frequency = <32768>;
};
    
```

It is the configuration used by TF-A for STM32MP157C-EV ^[4]

3.2.2 STM32MP1 clock node

Please refer to [clock device tree configuration](#) for information on how to specify the number of cells in a clock specifier.

The bootloader performs a global clock initialization, as described below. The information related to a given board can be found in the board specific device tree files listed in [clock node](#).

The bootloader uses other properties for [RCC](#) node ("st,stm32mp1-rcc" compatible):

- `secure-status`: related to TZEN bit configuration in `RCC_TZCR` register that allows to restrict RCC and PWR registers write access
- `st,clksrc`: clock source configuration array
- `st,clkdiv`: clock divider configuration array
- `st,pll`: specific PLL configuration
- `st,pkcs`: peripheral kernel clock distribution configuration array.

All the available clocks are defined as preprocessor macros in `stm32mp1-clks.h`^[9] and can be used in device tree sources.

3.2.2.1 Defining clock source distribution with `st,clksrc` property

This property can be used to configure the clock distribution tree. When used, it must describe the whole distribution tree.

There are nine clock source selectors for the STM32MP15 devices. They must be configured in the following order: MPU, AXI, MCU, PLL12, PLL3, PLL4, RTC, MCO1, and MCO2.

The clock source configuration values are defined by the `CLK_<NAME>_<SOURCE>` macros located in `stm32mp1-clksrc.h`^[8].

Example:

```
st,clksrc = <
    CLK_MPU_PLL1P
    CLK_AXI_PLL2P
    CLK_MCU_PLL3P
    CLK_PLL12_HSE
    CLK_PLL3_HSE
    CLK_PLL4_HSE
    CLK_RTC_LSE
    CLK_MCO1_DISABLED
    CLK_MCO2_DISABLED
>;
```

3.2.2.2 Defining clock dividers with `st,clkdiv` property

This property can be used to configure the value of the clock main dividers. When used, it must describe the whole clock divider tree.

There are 11 dividers values for the STM32MP15 devices. They must be configured in the following order: MPU, AXI, MCU, APB1, APB2, APB3, APB4, APB5, RTC, MCO1 and MCO2.

Each divider value uses the DIV coding defined in the [RCC](#) associated register, `RCC_<xxx>DIVR`. In most cases, this value is the following:

- 0x0: not divided
- 0x1: division by 2
- 0x2: division by 4
- 0x3: division by 8
- ...

Note that the coding differs for RTC MCO1 and MCO2:

- 0x0: not divided
- 0x1: division by 2
- 0x2: division by 3
- 0x3: division by 4
- ...


Example:

```
st,clkdiv = <
    1 /*MPU*/
    0 /*AXI*/
    0 /*MCU*/
    1 /*APB1*/
    1 /*APB2*/
    1 /*APB3*/
    1 /*APB4*/
    2 /*APB5*/
    23 /*RTC*/
    0 /*MCO1*/
    0 /*MCO2*/
>;
```

3.2.2.3 *Defining peripheral PLL frequencies with st,pll property*

This property can be used to configure PLL frequencies.

The PLL children nodes for PLL1 to PLL4 (see [reference manual](#) for details) are associated with an index from 0 to 3 (st,pll@0 to st,pll@3). PLLx is off when the associated node is absent.

For ecosystem release \geq v1.2.0 , TF-A automatically selects the most suitable operating point for the platform (please refer to [How to change the CPU frequency](#)), so the PLL1 node is no longer necessary.

Below the available properties for each PLL node:

- `cfg` contains the PLL configuration parameters in the following order: DIVM, DIVN, DIVP, DIVQ, DIVR, output.

DIVx values are defined as in [RCC](#):

- 0x0: bypass (division by 1)
- 0x1: division by 2
- 0x2: division by 3
- 0x3: division by 4
- ...

Output contains a bitfield for each output value (1:ON / 0:OFF)

- BIT(0) → output P : DIVPEN
- BIT(1) → output Q : DIVQEN
- BIT(2) → output R : DIVREN

Note: PQR(p,q,r) macro can be used to build this value with p, q, r = 0 or 1.

- `frac`: fractional part of the multiplication factor (optional, when absent PLL is in integer mode).
- `csg` contains the clock spreading generator parameters (optional) in the following order: MOD_PER, INC_STEP and SSCG_MODE.

MOD_PER: modulation period adjustment

INC_STEP: modulation depth adjustment

SSCG_MODE: Spread spectrum clock generator mode, defined in [stm32mp1-clksrc.h](#)^[8]:

- SSCG_MODE_CENTER_SPREAD = 0
- SSCG_MODE_DOWN_SPREAD = 1

Example:

```

st,pll@0 {
    cfg = < 1 53 0 0 0 1 >;
    frac = < 0x810 >;
};
st,pll@1 {
    cfg = < 1 43 1 0 0 PQR(0,1,1) >;
    csg = < 10 20 1 >;
};
st,pll@2 {
    cfg = < 2 85 3 13 3 0 >;
    csg = < 10 20 SSCG_MODE_CENTER_SPREAD >;
};
st,pll@3 {
    cfg = < 2 78 4 7 9 3 >;
};

```

3.2.2.4 Defining peripheral kernel clock tree distribution with `st,pkcs` property

This property can be used to configure the peripheral kernel clock selection.

It is a list of peripheral kernel clock source identifiers defined by the CLK_<KERNEL-CLOCK>_<PARENT-CLOCK> macros in the [stm32mp1-clksrc.h](#)^[8] header file.

`st,pkcs` may not list all the kernel clocks. No specific order is required.

Example:

```

st,pkcs = <
    CLK_STGEN_HSE
    CLK_CKPER_HSI
    CLK_USBPHY_PLL2P
    CLK_DSI_PLL2Q
    CLK_I2C46_HSI
    CLK_UART1_HSI
    CLK_UART24_HSI
>;

```

3.2.2.5 HSI and CSI clocks calibration

The **calibration** is an optional feature that can be enabled from the device tree. It allows requesting the HSI or CSI clock calibration by several means:

- SiP SMC service
- Periodic calibration every X seconds
- Interrupt raised by the MCU

This feature requires that a hardware timer is assigned to the calibration sequence.

A dedicated interrupt must be defined using "mcu_sev" name to start a calibration on detection of an interrupt raised by the MCU.

- st,hsi-cal: used to enable HSI clock calibration feature.
- st,csi-cal; used to enable CSI clock calibration feature.
- st,cal-sec: used to enable periodic calibration at specified time intervals from the secure monitor. The time interval must be given in seconds. If not specified, a calibration is only processed for each incoming request.

Example:

```

&rcc {
    st,hsi-cal;
    st,csi-cal;
    st,cal-sec = <15>;
    secure-interrupts = <GIC_SPI 144 IRQ_TYPE_LEVEL_HIGH>,
        <GIC_SPI 145 IRQ_TYPE_LEVEL_HIGH>;
    interrupt-names = "mcu_sev", "wakeup";
};

```

4 How to configure the DT using STM32CubeMX

The [STM32CubeMX](#) tool can be used to configure the STM32MPU device and get the corresponding [platform configuration device tree](#) files.

The STM32CubeMX may not support all the properties described in the above [DT bindings documentation](#) paragraph. If so, the tool inserts **user sections** in the generated device tree.

These sections can then be edited to add some properties and they are preserved from one generation to another.

Refer to [STM32CubeMX](#) user manual for further information.

5 References

Please refer to the following links for additional information:

- [↑ docs/devicetree/bindings/clock/st,stm32mp1-rcc.txt](#) TF-A clock binding information file
- [↑ doc/device-tree-bindings/clock/st,stm32mp1.txt](#) U-Boot SPL clock binding information file
- [↑ fdt/stm32mp157c.dtsi](#) (for TF-A), [arch/arm/dts/stm32mp157c.dtsi](#) (for U-Boot SPL): STM32MP157C device tree files
- [↑ 4.04.1 fdt/stm32mp157c-ed1.dts](#) STM32MP157C-EV device tree file for TF-A
- [↑ arch/arm/dts/stm32mp157c-ed1-u-boot.dtsi](#) STM32MP157C-EV device tree file for U-Boot SPL
- [↑ fdt/stm32mp157a-dk1.dts](#) STM32MP157A-DK device tree file for TF-A
- [↑ arch/arm/dts/stm32mp157a-dk1-u-boot.dtsi](#) STM32MP157A-DK device tree file for U-Boot SPL
- [↑ 8.08.18.28.3 include/dt-bindings/clock/stm32mp1-clksrc.h](#) (for TF-A), [include/dt-bindings/clock/stm32mp1-clksrc.h](#) (for U-Boot SPL): STM32MP1 DT bindings clock source files
- [↑ include/dt-bindings/clock/stm32mp1-clks.h](#) (for TF-A), [include/dt-bindings/clock/stm32mp1-clks.h](#) (for U-Boot SPL): STM32MP1 DT bindings clock identifier files



Boot chains overview

Invalid target: no reviewed revision corresponds to the given ID.

[Return to Boot chains overview.](#)



Clock device tree configuration

Invalid target: no reviewed revision corresponds to the given ID.

[Return to Clock device tree configuration.](#)



Device tree

Invalid target: no reviewed revision corresponds to the given ID.

[Return to Device tree.](#)

How to activate HSI and CSI oscillators calibration

Invalid target: no reviewed revision corresponds to the given ID.

[Return to How to activate HSI and CSI oscillators calibration.](#)

How to change the CPU frequency

Invalid target: no reviewed revision corresponds to the given ID.

[Return to How to change the CPU frequency.](#)



RCC internal peripheral

Invalid target: no reviewed revision corresponds to the given ID.

Return to RCC internal peripheral.



STM32CubeMX

Invalid target: no reviewed revision corresponds to the given ID.

[Return to STM32CubeMX.](#)



STM32MP15 resources

Invalid target: no reviewed revision corresponds to the given ID.

[Return to STM32MP15 resources.](#)



TF-A overview

Invalid target: no reviewed revision corresponds to the given ID.

[Return to TF-A overview.](#)



U-Boot overview

Invalid target: no reviewed revision corresponds to the given ID.

[Return to U-Boot overview.](#)



IMPORTANT NOTICE – READ CAREFULLY

STMicroelectronics NV and its subsidiaries ("ST") reserve the right to make changes, corrections, enhancements, modifications, and improvements to ST products and/or to this document at any time without notice. Purchasers should obtain the latest relevant information on ST products before placing orders. ST products are sold pursuant to ST's terms and conditions of sale in place at the time of order acknowledgment.

Purchasers are solely responsible for the choice, selection, and use of ST products and ST assumes no liability for application assistance or the design of purchasers' products.

No license, express or implied, to any intellectual property right is granted by ST herein.

Resale of ST products with provisions different from the information set forth herein shall void any warranty granted by ST for such product.

ST and the ST logo are trademarks of ST. For additional information about ST trademarks, refer to www.st.com/trademarks. All other product or service names are the property of their respective owners.

Information in this document supersedes and replaces information previously supplied in any prior versions of this document.

© 2023 STMicroelectronics – All rights reserved